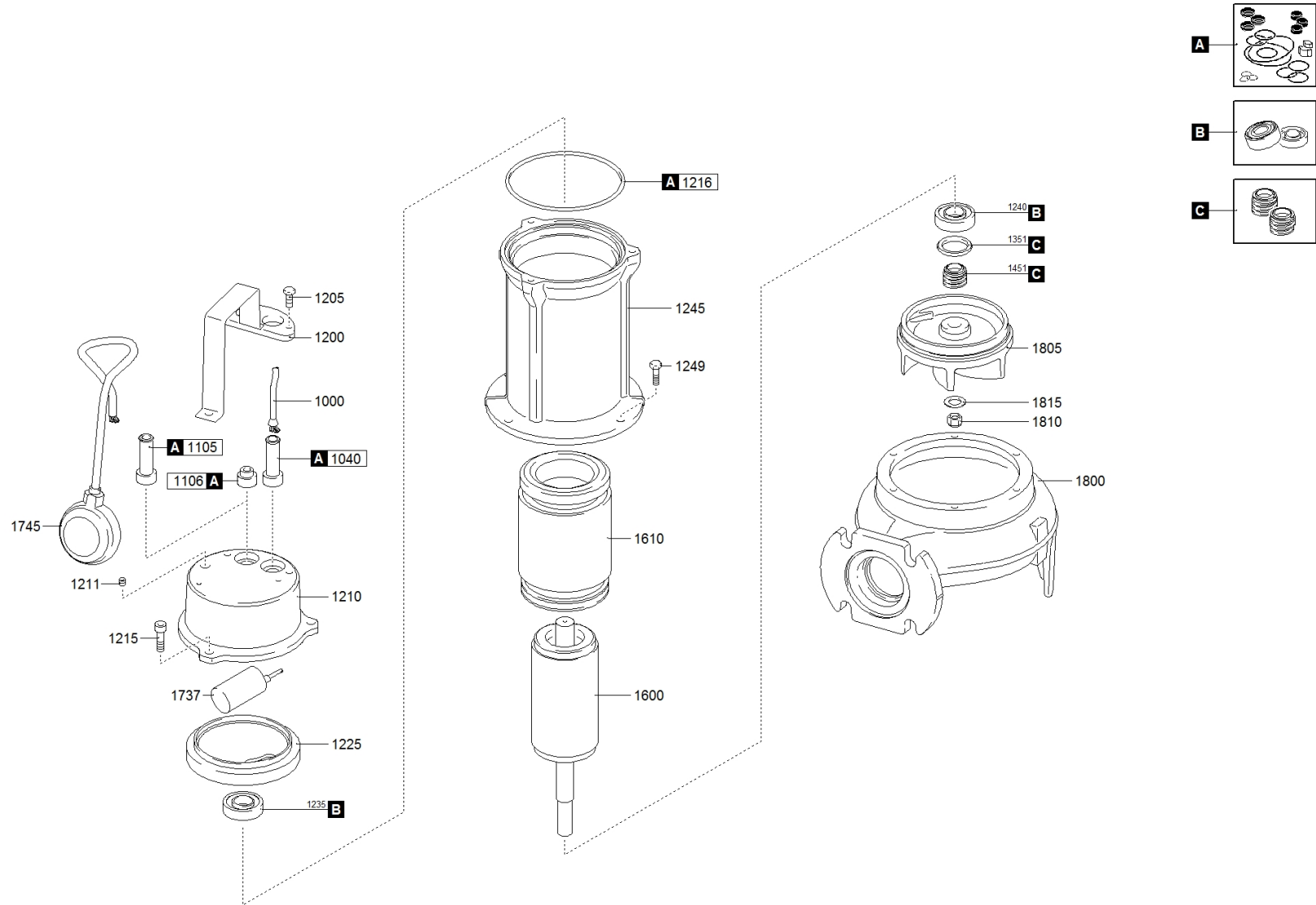


1123.012 - DGE 50/2/G50H A1BM5 NGTCQ21U23N00WH





water solutions



1123.012 - DGE 50/2/G50H A1BM5 NGTCQ21U23N00WH

		Code		Description		Q.ty
A		601039001		GASKETS KIT	805503	1
C		602002011		MECHANICAL SEALS KIT	805504	1
B		604002231		BEARINGS KIT	805505	1
1000		250102304010200000		POWER CABLE		1
1040		235672106900		RUBBER GASKET [POWER CABLE]	711413	1
1105		235672106900		RUBBER GASKET [FLOAT SWITCH]	711413	1
1106		235672106650		CAP [FLOAT SWITCH]	711505	1
1200		235330411020		HANDLE		1
1205		270830610123200000		SCREW [HANDLE >> COVER]	802092	2
1210		232110110530		COVER		1
1211		270139510104000000		CAP [TIGHTNESS TEST]	802099	1
1215		270830610143200000		SCREW [COVER >> MOTOR CASE]	806113	3
1216		271770098035000000		GASKET [COVER >> MOTOR CASE]		1
1225		230650100069		UPPER BEARING HOLDER		1
1235		2729062010200000		UPPER BEARING	711365	1
1240		2729062010200000		LOWER BEARING	711365	1
1245		231010110550		MOTOR CASE		1
1249		270830510161200000		SCREW [MOTOR CASE >> PUMP BODY]		4
1351		237970120240700000		LOWER LIP SEAL [LOWER BEARING]	711359	1
1451		230000010120000000		1st MECHANICAL SEAL	711373	1
1600		230230011215900		SHAFT WITH ROTOR		1
1610		230801121001000000		WOUND STATOR	802376	1
1650		2790300422785		DATAPLATE		1
1655		273130000000		RIVET [DATAPLATE]	802085	2
1737		25170040000000		CAPACITOR	711020	1
1800		21251410820124402		PUMP BODY		1
1805		21411400630611570		IMPELLER	711357	1
1810		27073101902100000		LOCKING IMPELLER		1
1815		270530808202000000		LOCKING WASHER [IMPELLER]		1